



# Road Safety

PRODUCTS



# Roads Bollards

Our bollards are made with the best materials. Made with high and low density polyethylene, they resist vehicle contact, recovering complete height and original figure. All this thanks to their excellent high memory properties in shape and resistance. They do not rust or worsen over time and are available in different colours.



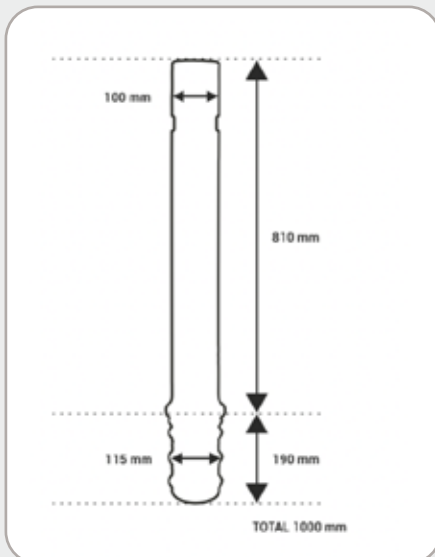
# Embeddable Flexible Bollard



Our bollards are made with the best materials. Made with high and low density polyethylene, they resist vehicle contact, recovering complete height and original figure. All this thanks to their excellent high memory properties in shape and resistance. They do not rust or worsen over time and are available in different colours.

## Technical Data Sheet:

### Characteristics



Embedded right into the floor.

- Hardness °Shore A: 92.
- High abrasion resistance.
- Great ecological value and 100% recyclable.
- Respects the environment.
- High impact resistance.
- Excellent UV behaviour.
- Low cost and durable.
- Unpainted.
- No maintenance.

#### Reflective Material

Equipped with a 3 cm wide Level II of 3M tape, in accordance with UNE 135.363, with retro-reflective values and in accordance with UNE 135.330 and European Standard EN 471.

Colours: Black, green and red.

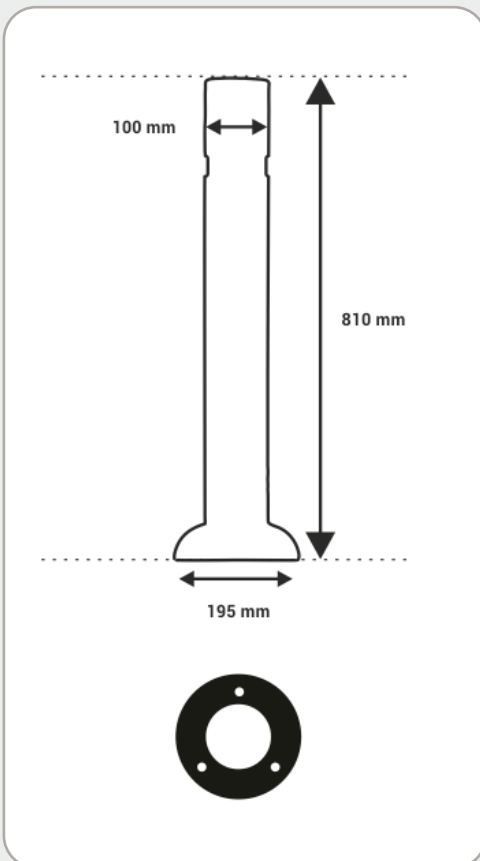
# Flexible Bollard With Base



Our bollards are made with the best materials. Made with high and low density polyethylene, they resist vehicle contact, recovering complete height and original figure. All this thanks to their excellent high memory properties in shape and resistance. They do not rust or worsen over time and are available in different colours.

## Technical Data Sheet:

### Characteristics



Attach to the surface by using a stand with three self-tapping screws, or chemical fixing with a 10 mm threaded rod.

- Hardness °Shore A: 92.
- High abrasion resistance.
- High ecological value and 100% recyclable.
- Respects the environment.
- High impact resistance.
- Excellent UV behavior.
- Low cost and durable.
- Un painted, non-rust, non-dent.
- No maintenance.

#### Reflective Material

Equipped with a 3 cm wide Level II of 3M tape, in accordance with UNE 135.363, with retro-reflective values and in accordance with UNE 135.330 and European Standard EN 471.

Colours: Black, green and red.

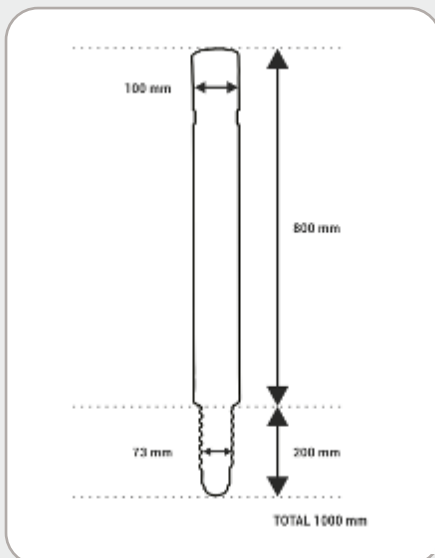
# Commercial Bollard



Bollard made of low and high density polyethylene, compacted in its interior with recycled rubber which allows it to withstand heavy impacts, since it has high memory properties in form and resistance. Floor-fixing mast, made of high quality polyethylene, which, together with the compaction of rubber inside the pylons, gives them a great strength and anti-shock cushioning. Excellent behaviour with ultraviolet sunlight, thanks to the built-in Anti-UV additive.

## Technical Data Sheet:

### Characteristics



- Manufactured in high quality polyethylene.
- Compacted inside with recycled used rubber tyres.
- High ecological and recyclable value.
- Respects the environment.
- Supports any kind of weather.
- High impact resistance.
- It does not rust and does not absorb dirt.
- Excellent UV behaviour.
- Anti-graffiti and easy to clean.
- Low cost and durable.
- No maintenance.

Compacted rubber interior.

Fixing  
Polyethylene recessed post.

Reflective material.

Equipped with a 3 cm wide Level II of 3M tape, in accordance with UNE 135.363, with retro-reflective values and in accordance with UNE 135.330 and European Standard EN 471.

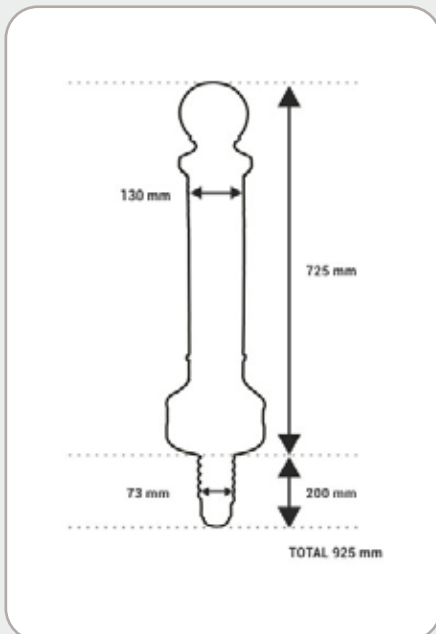
# Traffic Bollard



Bollard made of low and high density polyethylene, compacted its interior with recycled rubber which allows it to withstand large impacts, since it has high memory properties in form and resistance. Floor-fixed post, made of high quality polyethylene, which, together with the compaction of rubber inside the pylons, gives them a great strength and shock absorption. Excellent behaviour to ultraviolet sunlight, thanks to the built-in Anti-UV additive.

## Technical Data Sheet:

### Characteristics



- Made of high quality polyethylene.
- Compacted inside with recycled used tyre rubber.
- Torque angle and flexibility until mast breakage: 45°.
- High ecological and recyclable value.
- Respects the environment.
- Great in any kind of weather.
- High impact resistance.
- It does not rust and does not absorb dirt.
- Excellent UV behaviour.
- Antigraffiti and easy to clean.
- Low cost and durable.
- No maintenance.

Compacted rubber interior.

Fixing  
Polyethylene recessed post.

Reflective material.

Equipped with a 3 cm wide Level II of 3M tape, in accordance with UNE 135.363, with retro-reflective values and in accordance with UNE 135.330 and European Standard EN 471.

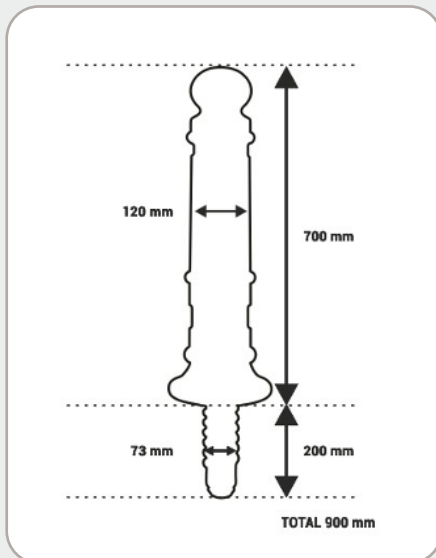
# Urban Bollard



Bollard made of low and high density polyethylene, compacted its interior with recycled rubber which allows it to withstand large impacts, since it has high memory properties in form and resistance. Floor-fixed post, made of high quality polyethylene, which, together with the compaction of rubber inside the pylons, gives them a great strength and shock absorption. Excellent behaviour to ultraviolet sunlight, thanks to the built-in Anti-UV additive.

## Technical Data Sheet:

### Characteristics



- Made of high quality polyethylene.
- Compacted inside with recycled used tyre rubber.
- Torque angle and flexibility until mast breakage: 45°.
- High ecological and recyclable value.
- Respects the environment.
- Great in any kind of weather.
- High impact resistance.
- It does not rust and does not absorb dirt.
- Excellent UV behaviour.
- Antigraffiti and easy to clean.
- Low cost and durable.
- No maintenance.

Compacted rubber interior.

Fixing  
Polyethylene recessed post.

Reflective material.

Equipped with a 3 cm wide Level II of 3M tape, in accordance with UNE 135.363, with retro-reflective values and in accordance with UNE 135.330 and European Standard EN 471.

# Markers



In Fixer we have two different models of road markers. Both designed to cause a deterrent effect and reinforce the safety measures on any track. Manufactured with E.V.A. and P.E. polymeric material, providing greater flexibility, durability and strength than other types of materials.

Perfect for incorporating fast lanes, roundabouts and islets, bike lanes, high-hazard point beacons... Our milestones are ideal for even high-frequency pedestrian areas or any other urban area that requires it.

## Technical Data Sheet:

### Characteristics

---

Flexible road markers, made of high quality polyethylene P.E. and E. V. A. With maximum flexibility that allows them to withstand large impacts, as they have high shape memory and resistance properties and excellent behaviour to ultraviolet sun rays, thanks to the Anti-UV additive that is incorporated.

Available colours: green, blue and red.

### Uses

---

Element used as a beacon, and black-spot areas.

Roundabouts, islands.

Bike lanes.

Lane narrowing.

Fast lane incorporation.

Areas with high pedestrian confluence or any other urban or intercity environment that is required.

### Mesurements

---

Measurements: height: 750 mm, diameter: 200 mm.

### Models

---

H-75 PE and H-75 EVA



# Lane Separators

## Roads

Lane separators are a completely essential tool to ensure safety in any type of environment. Available in different colours, shapes and designs, our lane separators are easy to install and maintain.

# Bike Lane Separator



Lane separator in recycled rubber with yellow and white rubber bands integrated into the part by vulcanization.

Great robustness, shock absorbing, high resistance to abrasion, ozone and UV rays.

It has frontal and lateral attack angles that facilitate shock absorption. It's easy to fix to the surface by two points.

## Technical Data Sheet:

### Uses

The design of the lane separator allows its use as: bike lane separator, bus, taxi and parking space separator.

### Size

Lane separator: 55 x 15 x 8 cm.

### Types

Yellow lane separator.



White lane separator.



# Lane Separator With Reflectors

Lane separator, in recycled rubber with reflective white bands, and rounded edges both front and side. It includes two cats eyes on the front and back for easy visibility. Organic product. Environmentally friendly. It is easy to install, the lane separator includes the clamping washers inside the rubber part itself.

## Technical Data Sheet:

### Uses

---

Dimensions: length 100 cm, width 15 cm and height 5 cm.

Luminescent catchers: 6.

Fixing system: 3 screws and 3 plugs.

The design of the lane separator allows its use as: bike, bus, and taxi lane separator.



# ONA L Separator



Separator element with exclusive design, combining curved and dynamic lines with smooth surfaces, giving the part a robust and advanced appearance. In turn, rounded shapes and slight transitions on surfaces make it easy to control vehicles in the event of impact. This part is also equipped with six cross-sectional stripes that ensure its perfect visualization.

## Technical Data Sheet:

### Utilisation

The exterior design is combined with optimally oriented interior reinforcements, with the aim of absorbing stresses in all directions. In addition, the part is prepared with three holes with an over-injected washer for proper fixing to the asphalt.

Dimensions: Length: 836 mm; Width: 220mm; height: 126 mm.

Anchorage system: 2 screws and 2 plugs.



# Kerb Protectors



Kerb protectors made of recycled rubber with a yellow rubber band integrated through vulcanization. Organic product. Environmentally friendly.

It is easy to install, the kerb protector includes the clamping washers inside the rubber part itself.

## Technical Data Sheet:

### Characteristics

---

Rubber product designed to protect obstacles such as kerbs, pavements and stairs. It is a solid product, very resistant to vehicle traffic, even heavy traffic.

### Uses

---

Product designed to protect obstacles such as:

Kerbs.

Pavements and stairs.

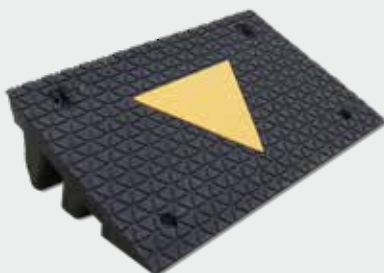
### Models

---

Kerb protector:

50 x 32 x 8 cm

50 x 32 x 10 cm



Height supplement:

50 x 32 x 2 cm



# Parking Delimiter



Parking space separator, made of recycled rubber with yellow bands and high visibility microspheres. Organic product. Environmentally friendly. It is easy to install. the lane separator includes the clamping washers inside the rubber part.

## Technical Data Sheet:

### Characteristics

---

Parking space separator, made of recycled rubber with yellow bands and high visibility microspheres.  
 Organic product.  
 Environmentally friendly.  
 It is easy to install, the separator includes the clamping washers inside the rubber part.  
 High robustness, impact absorbing, high resistance to abrasion, ozone and UV rays.  
 It facilitates the location of the vehicle in its space.  
 Can be used both indoors and outdoors.

### Uses

---

For all types of surfaces intended for parking vehicles in general, such as:  
 Car parks  
 Garages and for pillars in industrial warehouses.

### Model

---

60 x 15 x 11,5 cm



# Speed Reducers



Speed reducers with male and female side assembly, for better support between parts and easy installation. In addition, it incorporates tightening washers integrated into the part by vulcanization as well as the yellow rubber bands.

They have great robustness, shock absorption and high resistance to abrasion, ozone and UV rays. It is an ecological and environmentally friendly product. There is no noise pollution, as it is soundproof to the passage of vehicles.

## Technical Data Sheet:

### Characteristics:

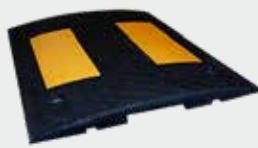
Male/female side assembly for better support. Washer integrated into the part by vulcanization.

Yellow bands integrated by vulcanization in the piece. High robustness, shock absorption and high resistance to abrasion, ozone and UV rays.

### Uses:

Suitable for all types of situations where we want to reduce. Vehicle speed. Pedestrian crossing. Intersections. Others.

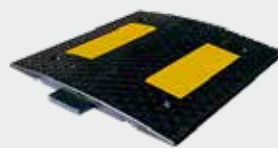
### Models



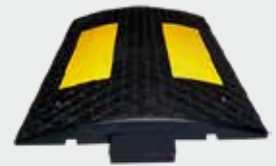
Speed reducer  
40x50x3cm



Speed reducer  
40x50x5cm



Speed reducer  
50x50x3cm



Speed reducer  
50x50x5cm



Triangle speed reducer  
50x50x5cm



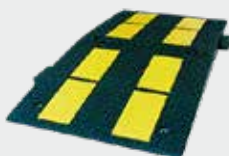
Speed reducer  
40x50x5cm



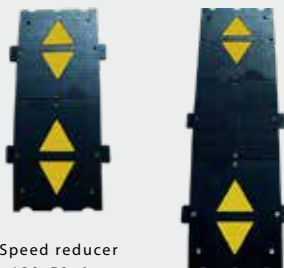
Speed reducer  
60x50x5cm



Speed reducer  
cable entry  
60x50x5cm



Speed reducer  
90x50x5cm



Speed reducer  
120x50x6cm

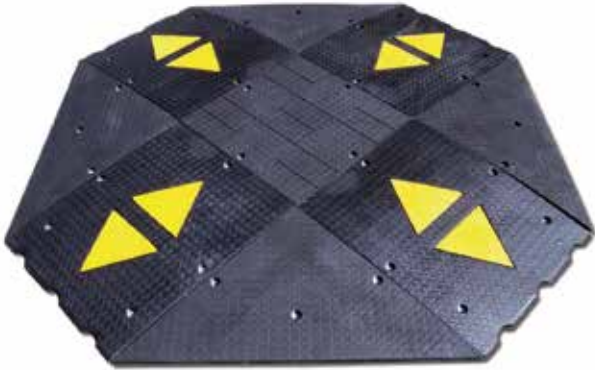


Lenticular speed reducer  
22cm diámetro - 4cm de altura



Reducing terminations  
(male and female)

# Berliner Cushion



It is made of recycled rubber with yellow rubber bands integrated into the vulcanization part. Organic product. Environmentally friendly. No noise pollution and soundproof with vehicle passage.

The Berliner cushion is recommended for speed regulation in residential areas, shopping areas, school areas, etc... The width of the cushion allows the passage of vehicles of greater weight and size or wheelbase, such as buses, regulating the speed of light vehicles.

## Technical Data Sheet:

### Characteristics:

---

Width A33:D34: 170 cm, Length: 170 cm and Height: 6 cm.

Width: 170 cm, Length: 220 cm and Height: 6 cm.

Width: 170 cm, Length: 270 cm and Height: 6 cm.

Anchoring system: Screw and plug.

