

# TECHNICAL DATA SHEET

## URBAN BOLLARD



### PRODUCT AND COMPANY IDENTIFICATION

<b>Product name:</b>	<b>BOLARD COMERCIAL</b>
<b>Uses:</b>	Rubber and polyethylene bollard.
<b>Supplier:</b>	FIXER PAVIMENTOS TÉCNICOS, S.L. P.I. "LA MUNTANYA" Parcelas 44 y 45 46293-BENEIXIDA (VALENCIA). Tel: +34962976630 administracion@fixer.es
<b>Emergency telephone:</b>	+34 91 562 04 20 National Institute of Toxicology.

### Description

Bollard made of low and high density polyethylene, compacted inside with recycled rubber which allows it to withstand large impacts, as it has high memory properties in shape and resistance. Mast for fixing to the ground, made of top quality polyethylene, which, together with the rubber compacting inside the bollards, gives them great resistance and shock absorption. Excellent behaviour to ultraviolet sun rays, thanks to the Anti-UV additive that is incorporated.

### Technical specifications

- Made of high quality polyethylene.
- Its interior is compacted with recycled rubber tire, out of use.
- High ecological and recyclable value.
- Torsion angle and flexibility until the mast breaks: 45°.
- Respects the environment.
- Supports all types of weather.
- High impact resistance.
- It does not rust and does not absorb dirt.
- Excellent UV performance.
- Anti-graffiti and easy to clean.
- Low cost and durable.
- No maintenance.

### Material

Compacted rubber interior material.

### Anchorage

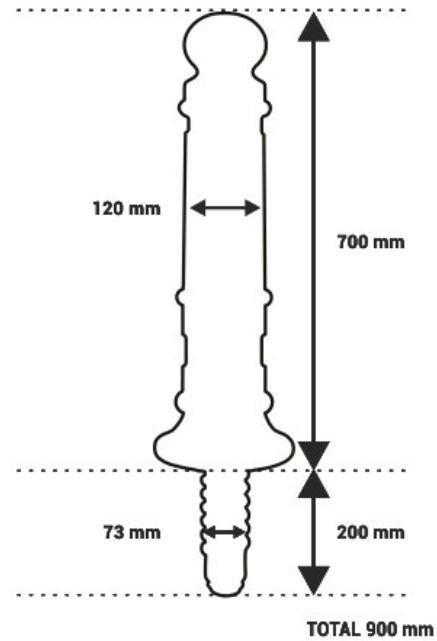
Embeddable polyethylene mast.

### Reflective material

Equipped with a 3.5 cm wide 3M Level II tape, in accordance with UNE 135.363, with retroreflective values and in accordance with UNE 135.330 and European Standard EN 471.

# TECHNICAL DATA SHEET

## URBAN BOLLARD



### LEGAL NOTICE

This information, and in particular the recommendations regarding the application and final use of the product, are based on Fixer's experience and knowledge, when the product has been applied and handled within the limits described in the current data sheet. If the environmental conditions of temperature and humidity, or the support conditions change, they may lead to differences in the data indicated in this technical sheet. For this reason, it is not deductible of the information of the present document, of any other written recommendation, or of any offered advice, any guarantee or obligation outside of any legal relation that could exist. Customers and users must know and use the latest and updated version of the Product Data Sheets, a copy of which will be sent to anyone who requests them.